

LITEDIMMER+ PLUS DC200G



MODEL - LITEDIMMER+ PLUS DC200G DIMMING SYSTEM FOR CINEMA, TV, AND VIDEO

LITEDIMMER+ PLUS DC200G is the ideal portable companion for powering +Series fixtures. With a focus on DC input power, the 200W unit can be powered using typical Gold Mount-compatible batteries. Optionally, an external AC powered, 12 volt power supply can be used and attached to the battery mount with the optional power supply mounting plate. The LiteDimmer+ Plus' rugged housing includes several mounting options including four ¼-20 threads for attaching clamps or brackets.

SPECIFICATIONS (IMPERIAL/METRIC)

POWER RATING	200W
VOLTAGE INPUT*(BATTERY)	14.4VDC Nominal (10~18VDC) Gold Mount
VOLTAGE INPUT† (EXTERNAL)	10~18VDC (PL4 Connector) (Pins 1 and 4 – Neg., Pins 2 and 3 + Pos.)
VOLTAGE OUTPUT	24VDC Constant Voltage, PWM (PL7 Connector)
TRIGGER JACK	2.5 mm TRS
DIMMING RANGE	0% to 100% Continuous, Flicker-Free
CONTROLS	On-Board "ON-OFF" Switch Manual Kelvin Dial Manual Dimming Dial
SOFTWARE INTERFACE	Proprietary Connector, Service Center Upgradeable
MOUNTING	(4) 1/4-20 Threaded Inserts Drywall Screw Holes Velcro®/Cable Tie Slots Paracord Lanyard
AMBIENT TEMP. OPERATION	-10° to +50° C (14° to 122° F)
IP RATING	IP20

DIMMER MODEL

LiteDimmer+ Plus DC200G, 200W, Gold Mount (LD-PLUS-DC200G)

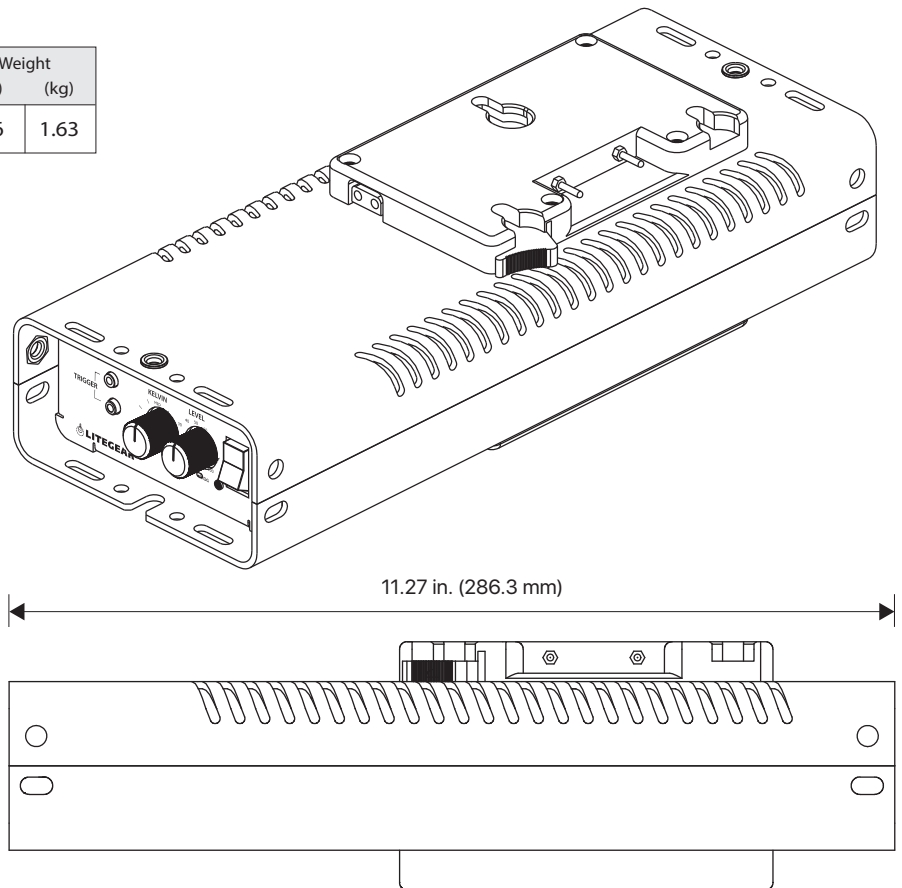
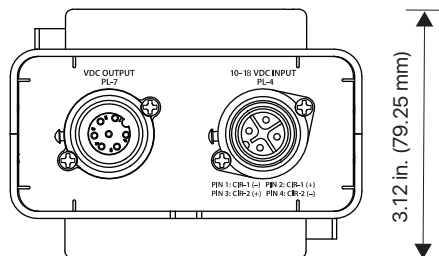
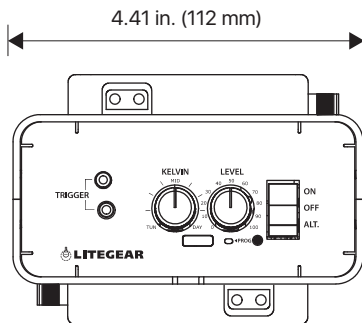
OPTIONAL ACCESSORIES

- Power Supply, 12VDC, 250W (PS-12V-250W-F-PL4)
- Power Supply Mounting Plate, Gold Mount (LDA-PLUS-PLATE-G)
- PL7 Extension, 12 Feet (CA-PL7-EXT-12)
- PL7 Extension, 24 Feet (CA-PL7-EXT-24)
- PL7 TwoFer (CA-PL7.M-PL7.F.2)
- AC Cable, 5-15P to C13, 6 Feet - US (CA-15P-C13-LOCK-6F)
- AC Cable, BS 1363 to C13, 6 Feet - UK (CA-UK-C13-6)
- AC Cable, Europlug to C13, SVT, 6 Feet - EU (CA-EURO-C13-6)
- Remote Trigger (2110002)
- Paracord Lanyard (1180002)
- Actuator Tool, 2-Pack (TOOL-ACTUATOR)

RECOMMENDED BATTERIES

To see list of recommended third-party camera batteries and approximate run times: litegear.com/ld_batteries

Height		Width		Length		Weight	
(in.)	(mm)	(in.)	(mm)	(in.)	(mm)	(lb)	(kg)
3.12	79.25	4.41	112	11.27	286.3	3.6	1.63



LITEGEAR, INC.

Hours: Monday-Friday 8AM-4:30PM (PST)
 Tel: +1 818 358-8542 SMS: +1 818 495-0600
 Email: info@litegear.com or support@litegear.com
 Web: www.litegear.com

© 2017 LITEGEAR, INC. All rights reserved. LiteRibbon® and FauxFlo® are registered trademarks of LiteGear, Inc.
 © 2017 LITEGEAR, INC. All rights reserved. LiteGear™, LiteMat™, LiteDimmer™, LiteStix™, E-Control™, Hybrid™, Chroma™, Chroma-Correct™, LiteTile™, LiteBox™, LiteCloth™, CineHue™, CineMitter™, Cine Chroma™, Cine Series™, Studio Series™, Cine Hybrid™, Studio Hybrid™, FauxRes™, LiteEngine™, LiteNet™, LitePower™, LiteTenna™, QuickLinx™, TrueHybrid™, Vibrant Colors, Beautifully Saturated™, Stardust™, and MapLite™ are trademarks of LiteGear, Inc.
 Velcro® is a registered trademark of Velcro BVBA



LITEDIMMER+ PLUS DC200V



MODEL - LITEDIMMER+ PLUS DC200V DIMMING SYSTEM FOR CINEMA, TV, AND VIDEO

LITEDIMMER+ PLUS DC200V is the ideal portable companion for powering +Series fixtures. With a focus on DC input power, the 200W unit can be powered using typical V-Mount-compatible batteries. Optionally, an external AC powered, 12 volt power supply can be used and attached to the battery mount with the optional power supply mounting plate. The LiteDimmer+ Plus' rugged housing includes several mounting options including four 1/4-20 threads for attaching clamps or brackets.

SPECIFICATIONS (IMPERIAL/METRIC)

POWER RATING	200W
VOLTAGE INPUT*(BATTERY)	14.4VDC Nominal (10~18VDC) V-Mount
VOLTAGE INPUT†(EXTERNAL)	10~18VDC (PL4 Connector) (Pins 1 and 4 – Neg., Pins 2 and 3 + Pos.)
VOLTAGE OUTPUT	24VDC Constant Voltage, PWM (PL7 Connector)
TRIGGER JACK	2.5mm TRS
DIMMING RANGE	0% to 100% Continuous, Flicker-Free
CONTROLS	On-Board "ON-OFF" Switch Manual Kelvin Dial Manual Dimming Dial
SOFTWARE INTERFACE	Proprietary Connector, Service Center Upgradeable
MOUNTING	(4) 1/4-20 Threaded Inserts Drywall Screw Holes Velcro®/Cable Tie Slots Paracord Lanyard
AMBIENT TEMP. OPERATION	-10° to +50° C (14° to 122° F)
IP RATING	IP20

DIMMER MODEL

LiteDimmer+ Plus DC200V, 200W, V-Mount (LD-PLUS-DC200V)

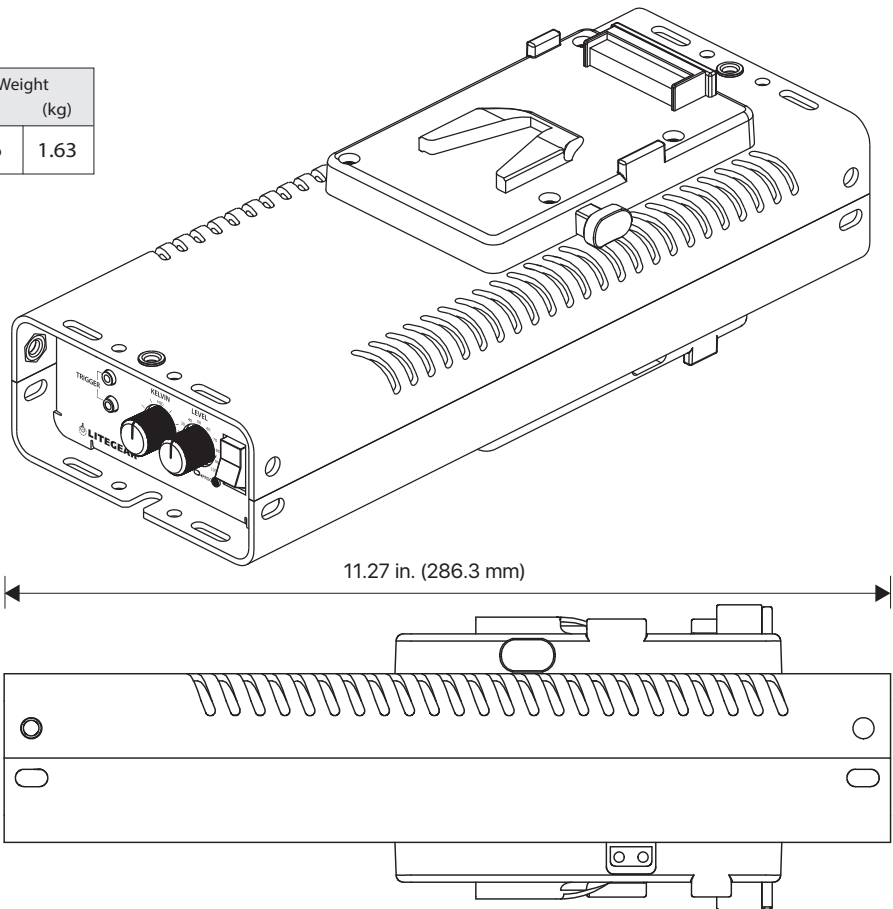
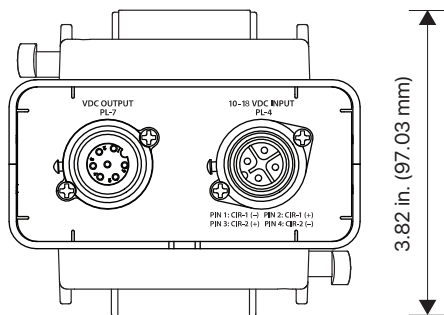
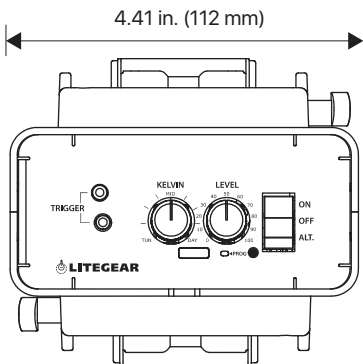
OPTIONAL ACCESSORIES

- Power Supply, 12VDC, 250W (PS-12V-250W-F-PL4)
- Power Supply Mounting Plate, V-Mount (LDA-PLUS-PLATE-V)
- PL7 Extension, 12 Feet (CA-PL7-EXT-12)
- PL7 Extension, 24 Feet (CA-PL7-EXT-24)
- PL7 TwoFer (CA-PL7.M-PL7.F.2)
- AC Cable, 5-15P to C13, 6 Feet - US (CA-15P-C13-LOCK-6F)
- AC Cable, BS 1363 to C13, 6 Feet - UK (CA-UK-C13-6)
- AC Cable, Europlug to C13, SVT, 6 Feet - EU (CA-EURO-C13-6)
- Remote Trigger (2110002)
- Paracord Lanyard (1180002)
- Actuator Tool, 2-Pack (TOOL-ACTUATOR)

RECOMMENDED BATTERIES

To see list of recommended third-party camera batteries and approximate run times: litegear.com/ld_batteries

Height		Width		Length		Weight	
(in.)	(mm)	(in.)	(mm)	(in.)	(mm)	(lb)	(kg)
3.82	97.03	4.41	112	11.27	286.3	3.6	1.63



LITEGEAR, INC.

Hours: Monday-Friday 8AM-4:30PM (PST)
 Tel: +1 818 358-8542 SMS: +1 818 495-0600
 Email: info@litegear.com or support@litegear.com
 Web: www.litegear.com

© 2017 LITEGEAR, INC. All rights reserved. LiteRibbon® and FauxFlo® are registered trademarks of LiteGear, Inc.
 © 2017 LITEGEAR, INC. All rights reserved. LiteGear™, LiteMat™, LiteDimmer™, LiteStix™, E-Control™, Hybrid™, Chroma™, Chroma-Correct™, LiteTile™, LiteBox™, LiteCloth™, CineHue™, CineMitter™, Cine Chroma™, Cine Series™, Studio Series™, Cine Hybrid™, Studio Hybrid™, FauxRes™, LiteEngine™, LiteNet™, LitePower™, LiteTenna™, QuickLinx™, TrueHybrid™, Vibrant Colors, Beautifully Saturated™, Stardust™, and MapLite™ are trademarks of LiteGear, Inc.
 Velcro® is a registered trademark of Velcro BVBA

